

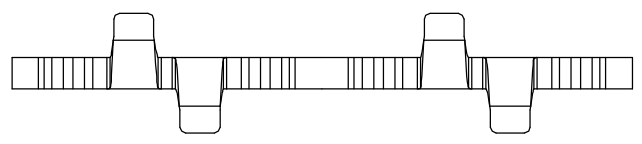
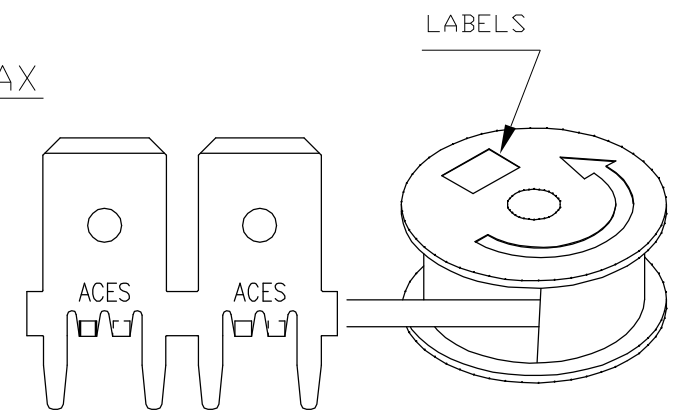
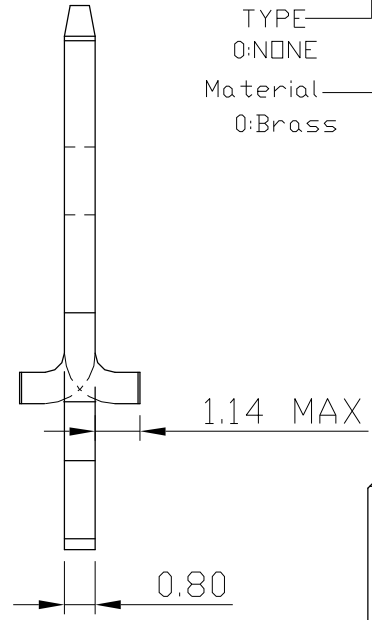
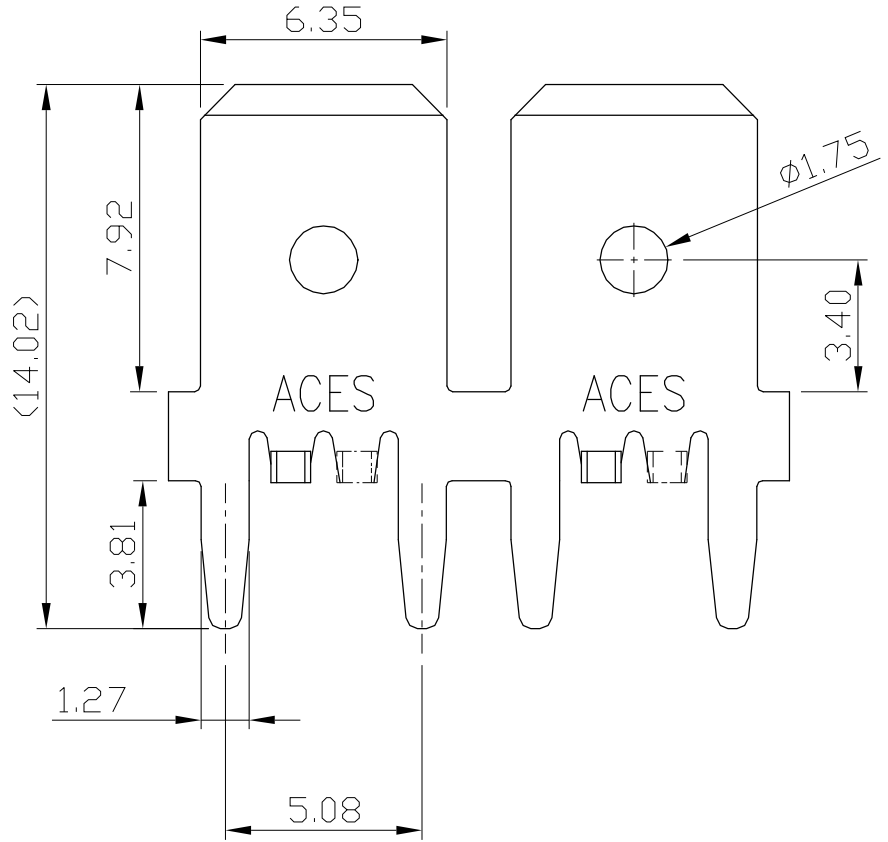
P.C.B HOLE  
GENERAL TOLDRANCE ±0.05

Note:

1. Material: Brass.Thickness: 0.80±0.015mm
2. PLATING: 50u"MIN NICKEL OVERALL  
 N: 150u" MIN MATTE TIN OVER NICKEL
3. Q'TY: XXXX pcs/roll
4. SPEC. PLS. REFER TO PS-51422-xxxxx
5. PART NUMBER

P/N LEGEND

51464-TXXX-001  
 TYPE ——— PLATING:  
 0:NONE                    N:MATTE TIN  
 Material ———  
 0:Brass



<b>QUALITY SYMBOLS</b> MAJOR Ⓢ CRITICAL Ⓢ <b>GENERAL TOLERANCES</b> ( UNLESS SPECIFIED ) X. ±0.5 .X ±0.25 .XX ±0.15 .XXX ±0.1 ANGLES ±2°	DRAWN BY Liang,lin ji 19/10/13	DATE 19/10/13	
	CHECKED BY Lu, jing quan 19/10/13	DATE 19/10/13	
	APPROVED BY hsieh, fu yu 19/10/13	DATE 19/10/13	RFG NO. N/A
	UNITS mm		SIZE A4
	SCALE 1:4	SHEET NO. 1 OF 1	REV A
			DWG NO. 51464-TXXXX-XXX